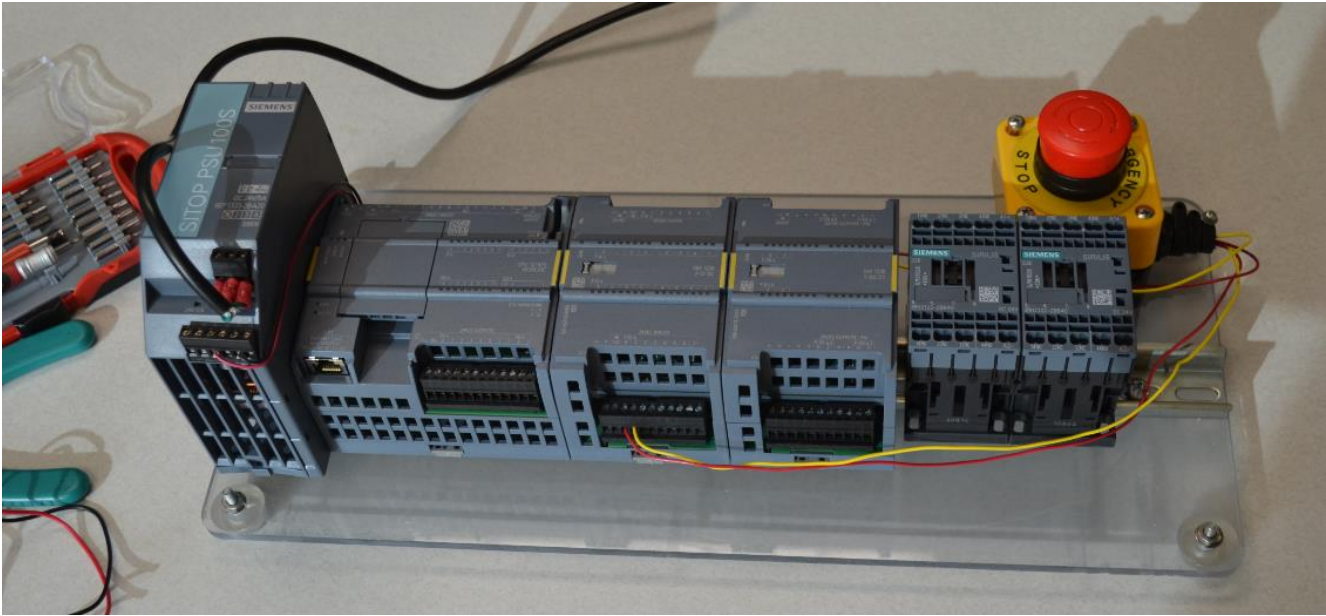


# Chapter 26 Safety Lab

Our Equipment includes:

- Siemens CPU 1214FC DC/DC/DC PLC
- Siemens SM 1226 F-DI DC Input Module
- Siemens SM 1226 F-DQ DC Output Module
- Two Siemens Sirius 3RH2122-2BB40 Relays
- An Emergency Stop Station

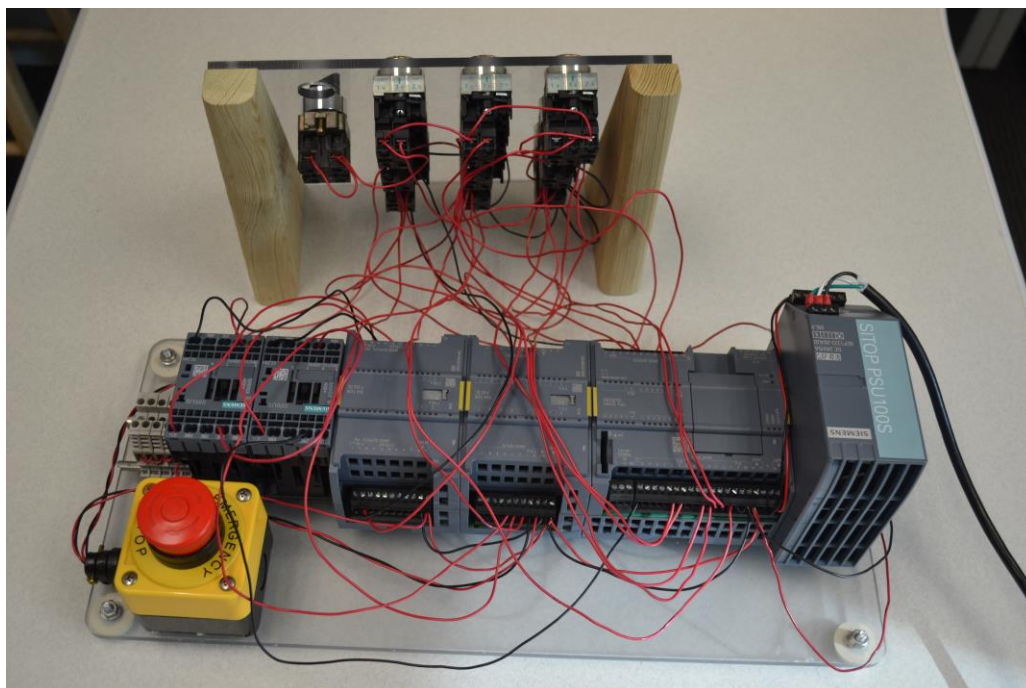
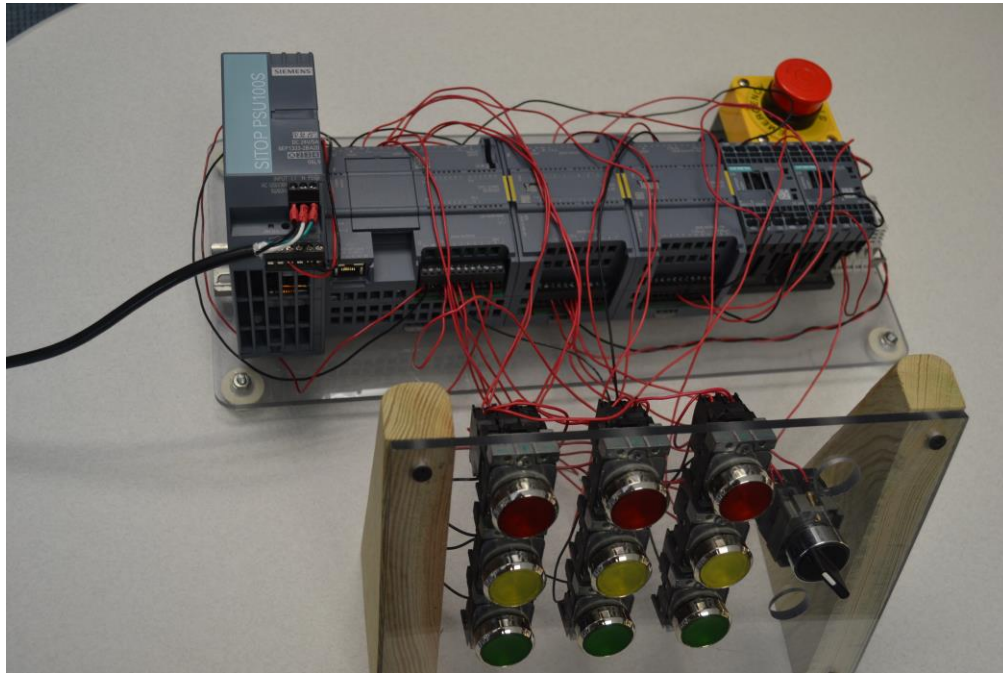


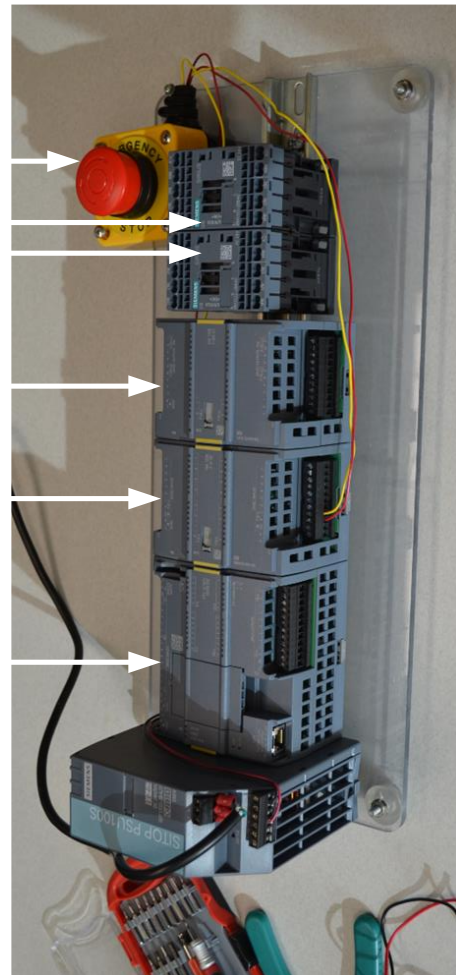
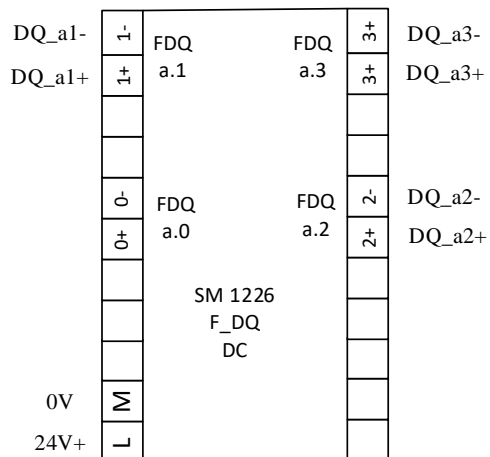
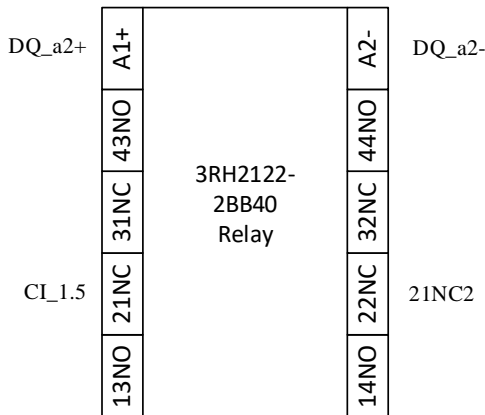
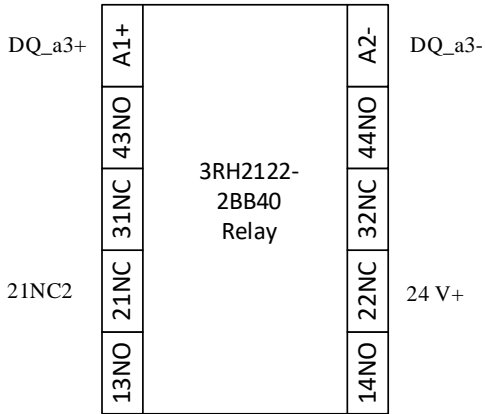
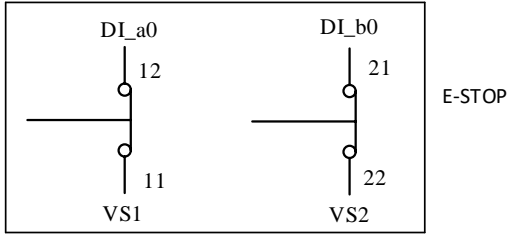
Since several non-safety Inputs and Outputs are used in the lab, we will use the pushbutton station from the lab, shown below:



**The original solution to this lab was done by Austin Rhoads, EET Student – April 2021:**

Download the program ‘Siemens Safety Advanced Program’ from the [eng.utoledo.edu/~wevans](http://eng.utoledo.edu/~wevans) website. If you are interested in the more challenging project, download the ‘Siemens Safety Starter Program’ from the same website and proceed through the tutorial in Ch. 20 of the Hybrid Text. When you get to the end, you will have the same program as the advanced program.







The following is a troubleshooting page to be used if there is an error in the wiring or configuration of the program:

